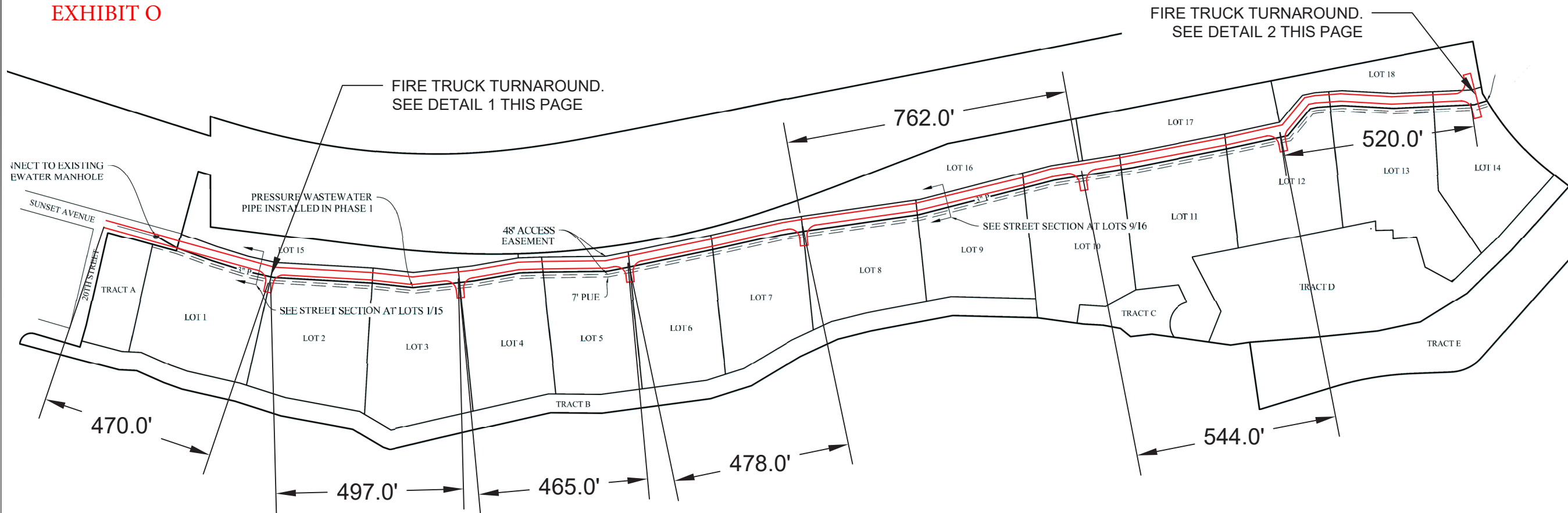
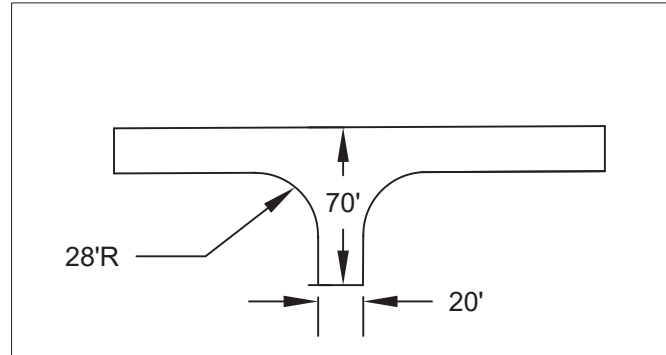


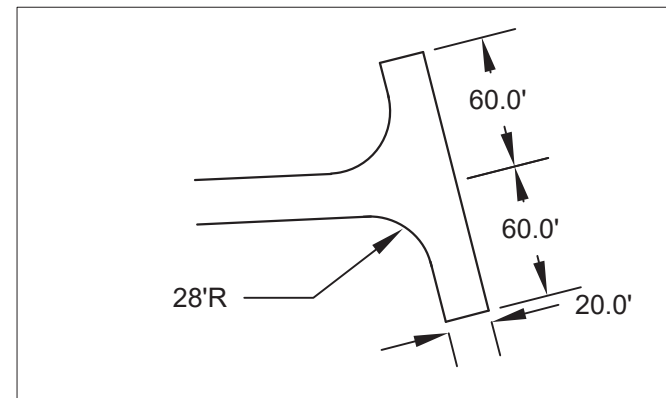
EXHIBIT O



DETAIL 1: FIRE TRUCK TURNAROUND

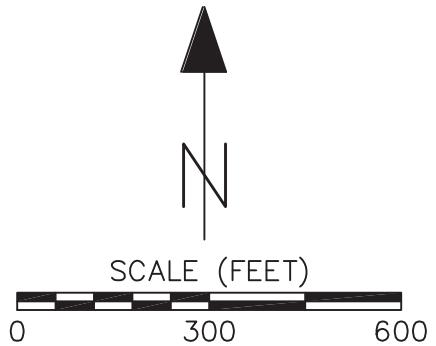


DETAIL 2: FIRE TRUCK TURNAROUND



NOTES:

- 1: Fire Access Road will be a minimum of 20 feet wide, all weather surface, and hold the weight of the fire apparatus (75,000 lbs).
- 2: Public Access Easement for the extension of Sunset Avenue will include the Fire Access Turnarounds.



NO.	DATE	DESCRIPTION	REVISION

DESIGNED BY: KS
 DRAWN BY: JR
 CHECKED BY: KS
 DATE APPD.:

PRELIMINARY

SANDOW ENGINEERING

APPROVAL:

 CITY ENGINEER REG. PROF. ENGR.

NORTHFORK GATEWAY
 FIRE ACCESS PLAN
 WESTFIR, LANE COUNTY, OREGON

SHEET NO.
F1

1ST SUBMITTAL -- 8.21.2023