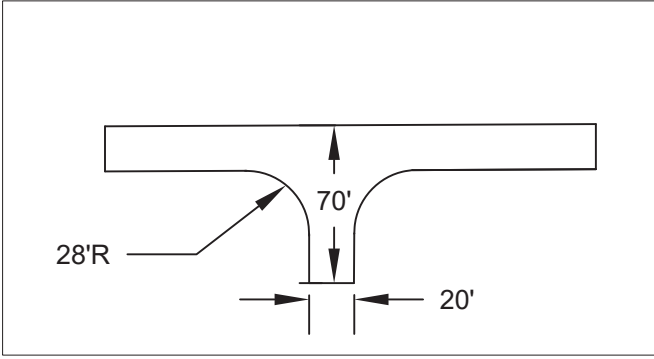
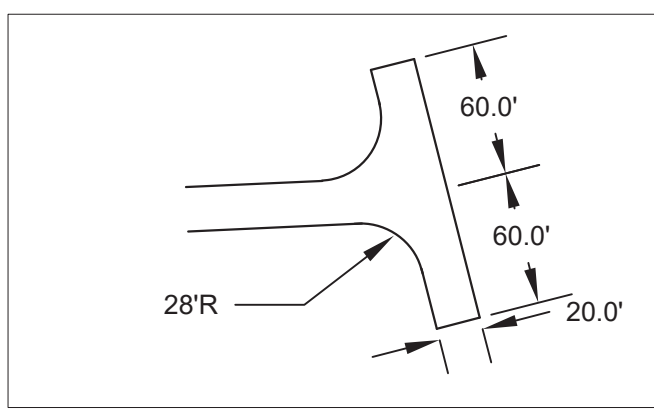


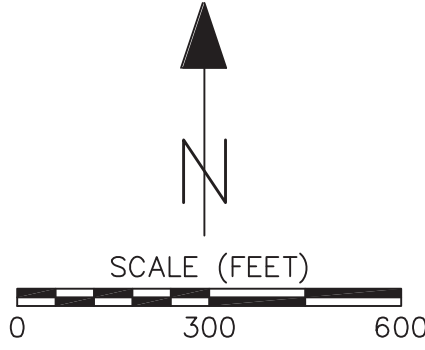
DETAIL 1: FIRE TRUCK TURNAROUND



DETAIL 2: FIRE TRUCK TURNAROUND



- NOTES:**
- 1: Fire Access Road will be a minimum of 20 feet wide, all weather surface, and hold the weight of the fire apparatus (75,000 lbs).
  - 2: Public Access Easement for the extension of Sunset Avenue will include the Fire Access Turnarounds.



NO.	DATE	DESCRIPTION	REVISION	APPD.

DESIGNED BY KS  
 DRAWN BY JR  
 CHECKED BY KS  
 DATE APPD.

**PRELIMINARY**

**SANDOW ENGINEERING**

APPROVAL:  
  
 CITY ENGINEER REG. PROF. ENGR.

NORTHFORK GATEWAY  
 FIRE ACCESS PLAN  
 WESTFIR, LANE COUNTY, OREGON

SHEET NO.  
**F1**

1ST SUBMITTAL -- 8.21.2023